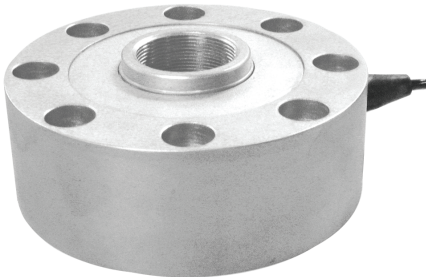
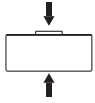


DBSL 2t - 30t

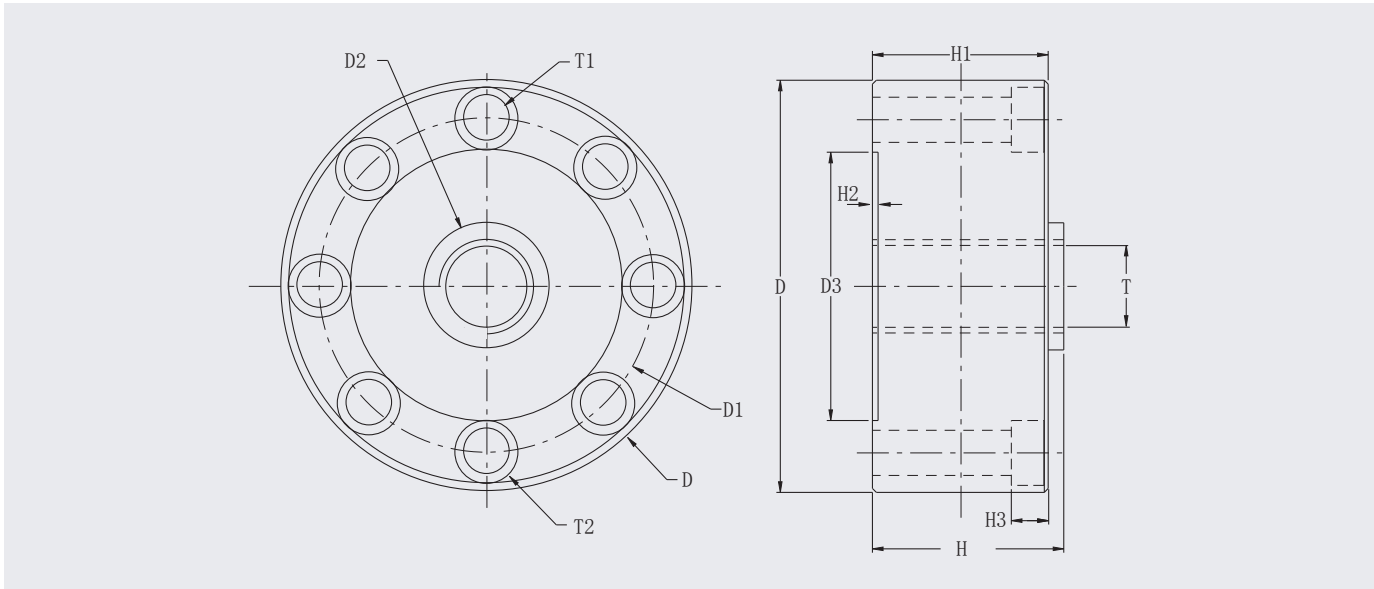


Features 特点

- Compression Load Cell
- Senior Alloy Steel
- Easy to Install, Stable & Reliable
- Fit for Tension Measurement, Truck Scales and Big Bin & Hopper Scales, etc.
- 轮辐式传感器
- 优质合金钢材质
- 安装简便、快速，稳定可靠
- 适用于试验机、汽车衡和大型料斗秤等

Capacities 量程

2t, 3t, 5t, 10t, 20t, 30t



Dimensions 尺寸

Capacity/ 量程		D	D1	D2	D3	H	H1	H2	T	T1	T2	H3
2t / 3t / 5t	mm	Φ105.0	Φ89.0	Φ32.0	75.0	37.0	34.0	1.0	M16x1.5	8xΦ7.5	8xΦ10.5	7.2
10t / 20t	mm	Φ120.6	Φ101.8	Φ39.0	83.0	53.5	41.0	0.5	M32x1.5	8xΦ8.5	8xΦ14.0	10.5
30t	mm	Φ141.0	Φ116.8	Φ50.4	96.9	57.2	50.8	0.7	M40x1.5	8xΦ11.0	8xΦ18.0	11.0

Specification 技术参数

Rated Output/额定输出	3.0mV/V \pm 1%
Zero Balance/零点平衡	\pm 1% of rated output
Creep after 30 minutes/蠕变	\pm 0.03% of rated output
Nonlinearity/非线性	\pm 0.03% of rated output
Hysteresis/滞后	\pm 0.03% of rated output
Repeatability/重复性	\pm 0.03% of rated output
Temp. effect on output/灵敏度温漂	\leq 0.002% of applied output/ $^{\circ}$ C
Temp. effect on zero/零点温漂	\leq 0.002% of rated output/ $^{\circ}$ C
Safe Temp. Range/可用温度范围	-10 $^{\circ}$ C to + 70 $^{\circ}$ C
Temp. Compensated/温度补偿范围	-10 $^{\circ}$ C to + 50 $^{\circ}$ C
Safe Overload/安全载荷	150%
Input Impedance/输入阻抗	387ohm \pm 5 ohm (770 ohm \pm 5 ohm 30t)
Output Impedance/输出阻抗	350ohm \pm 3 ohm (700 ohm \pm 3 ohm 30t)
Insulation Resistance/绝缘阻抗	\geq 5000 M ohm (50V DC)
Rated Excitation/推荐激励电压	10V DC/AC
Maximum Excitation/最大激励电压	15V DC/AC
Cable Length/导线长度	600cm/1000cm
Cable Color Code/导线颜色	Red(+E) Black(-E) Green(+S) White(-S)

Schematic 接线方式

Red: + input
 Black: - input
 Green: + output
 White: - output

红色: + 激励
 黑色: - 激励
 绿色: + 信号
 白色: - 信号

